

# SERVAL-SD-K

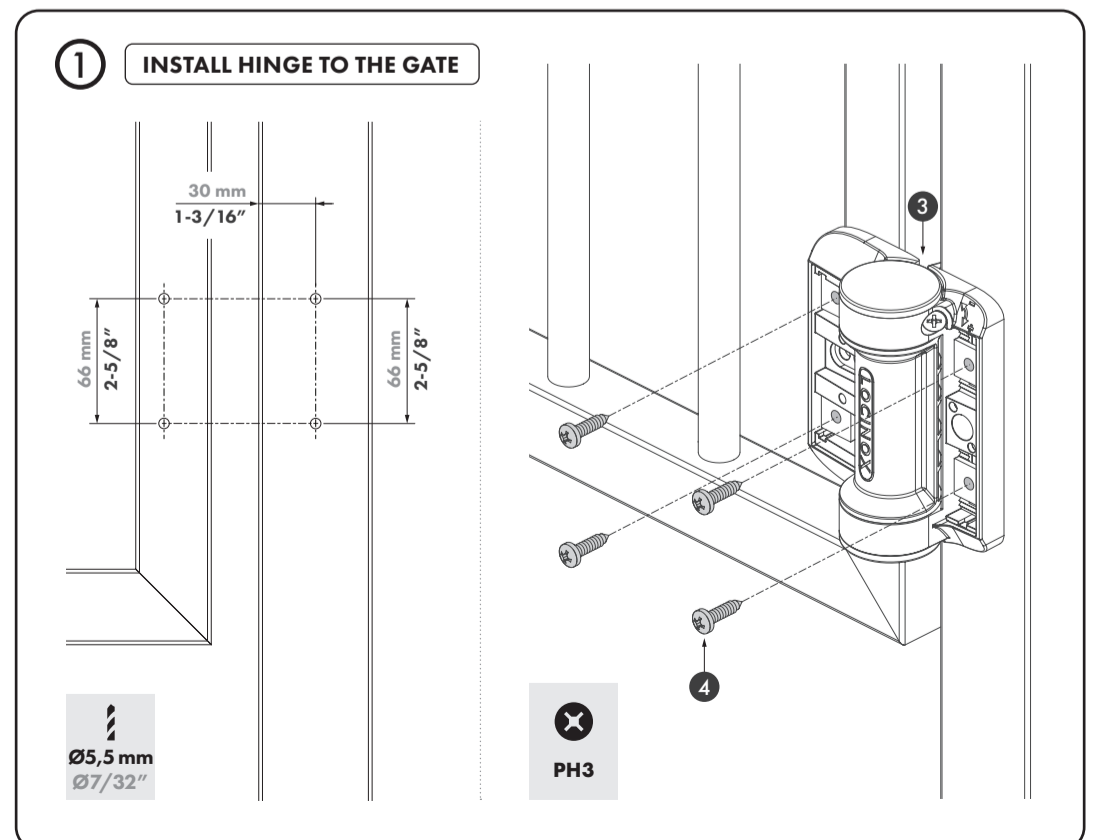
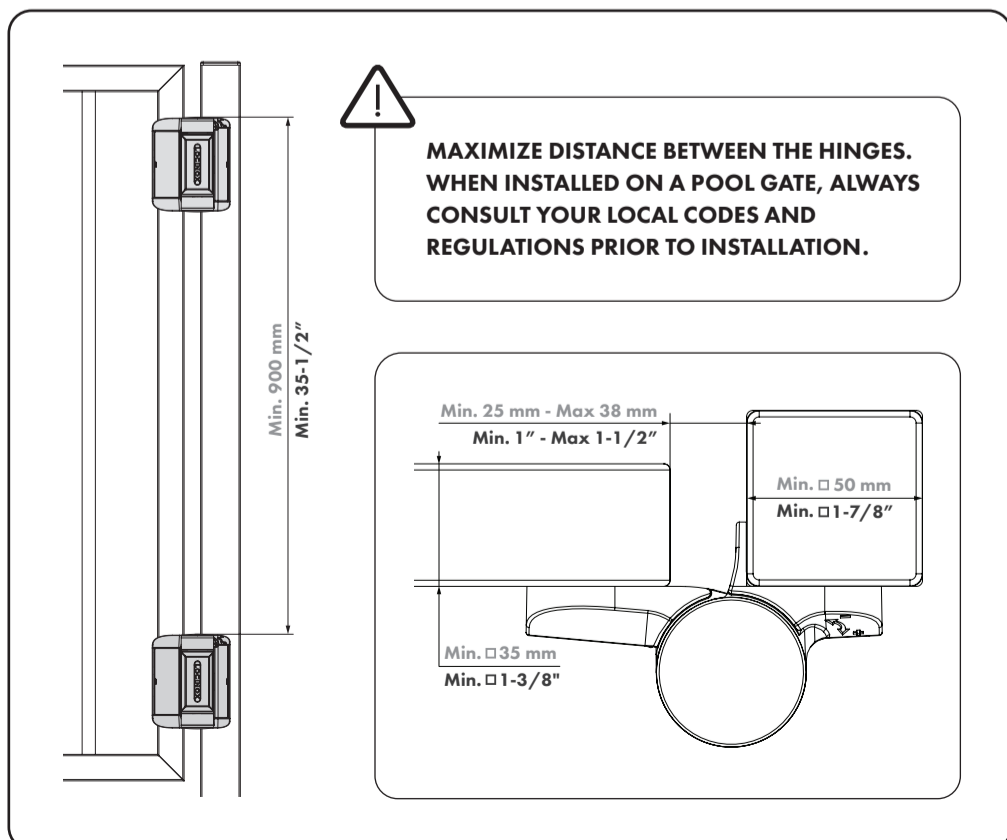
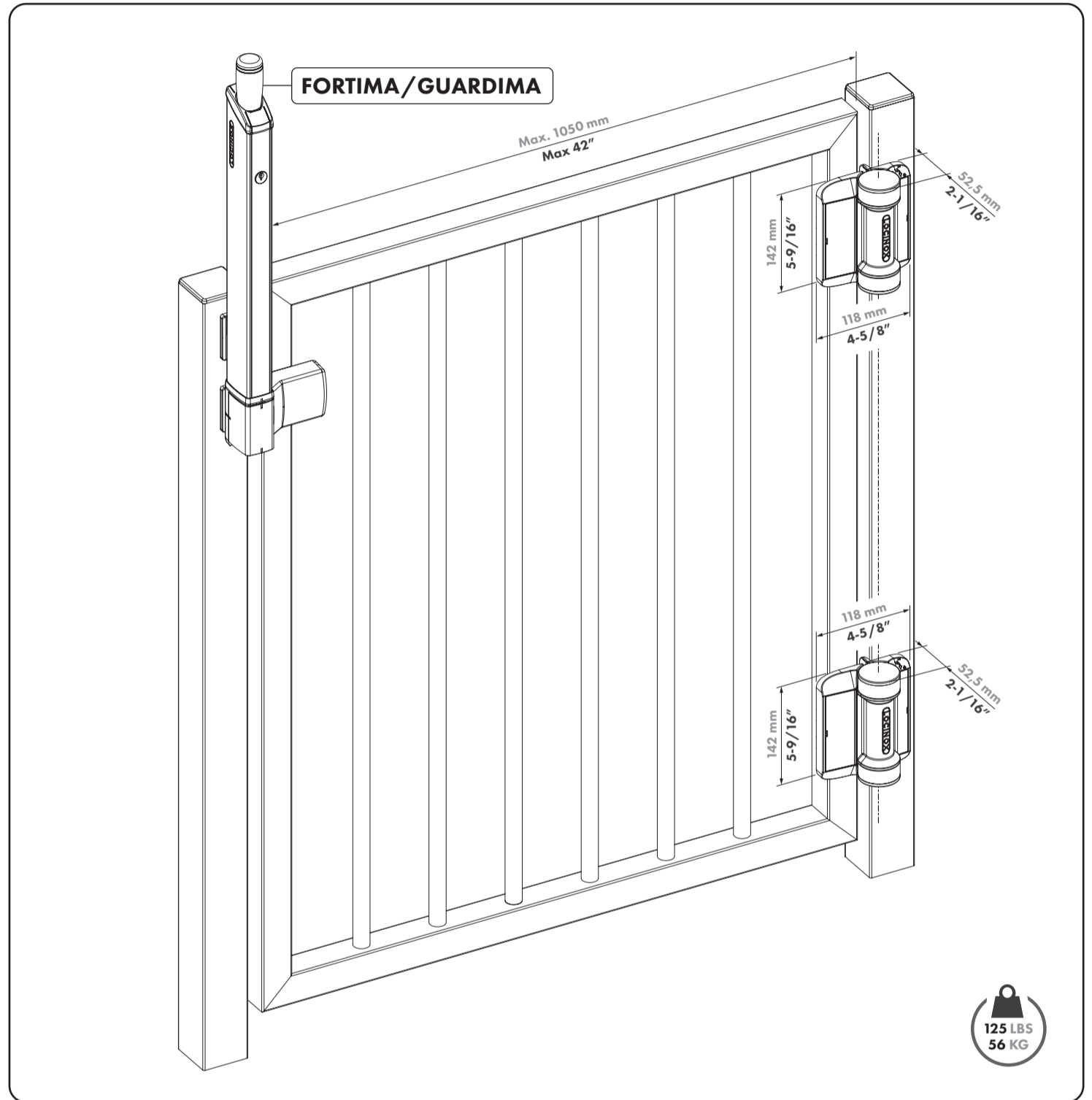
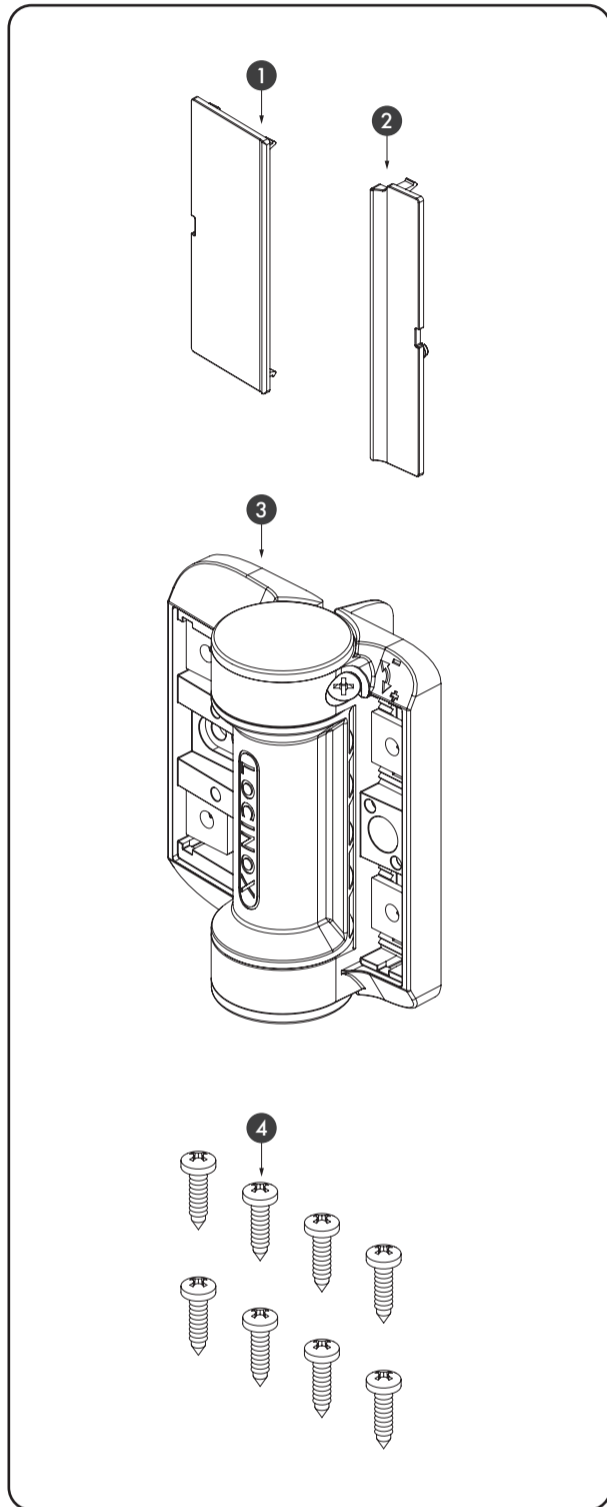
# LOCINOX

Let's make it better together

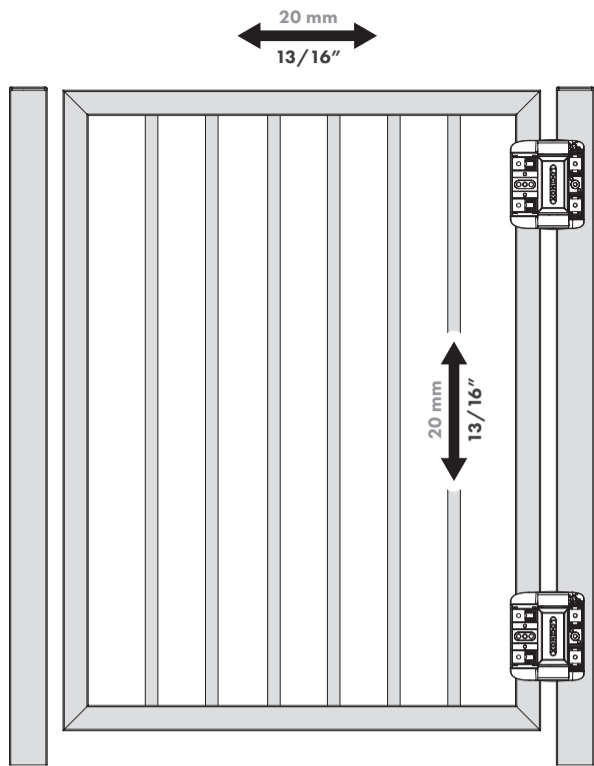


LOCINOX				LOCINOX USA			
www.locinox.com	help@locinox.com	BE-HQ: +32 56 77 27 66 PL-CEE: +48 717 58 21 09	www.locinox.com/serval	www.locinoxusa.com	helpusa@locinox.com	877-LOCINOX	www.locinoxusa.com/serval

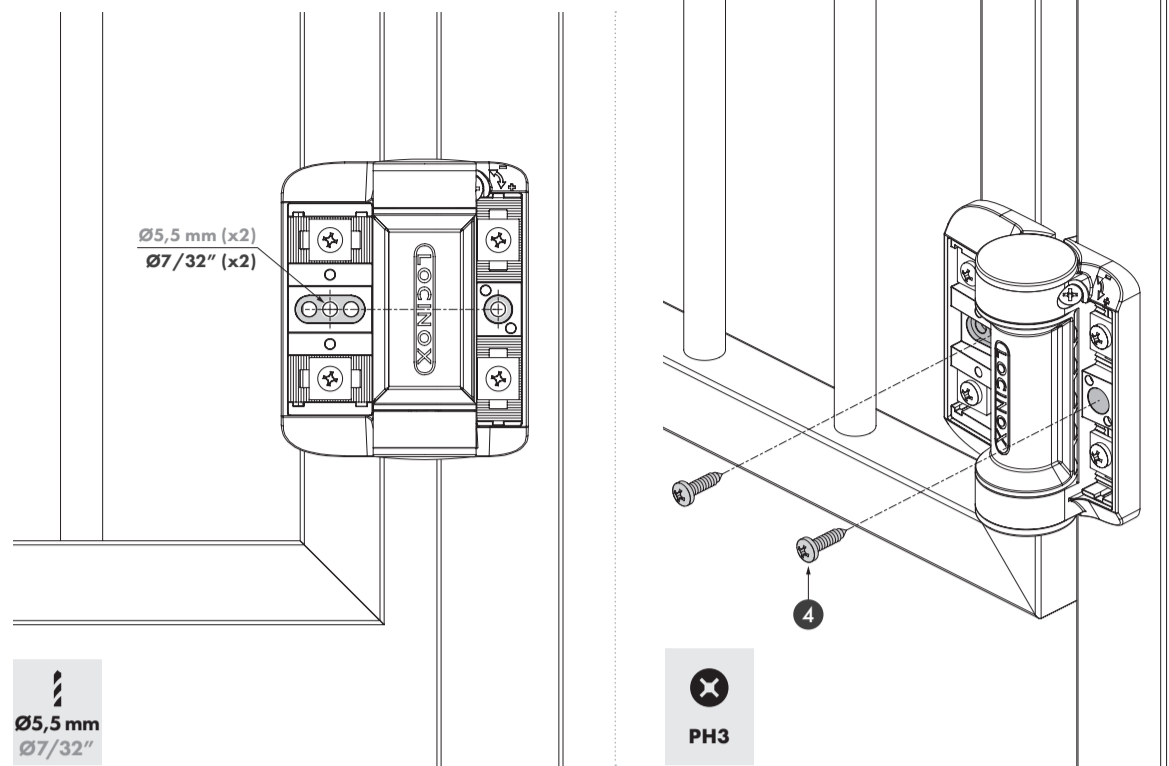
**READ THE LIABILITY NOTICE CAREFULLY**



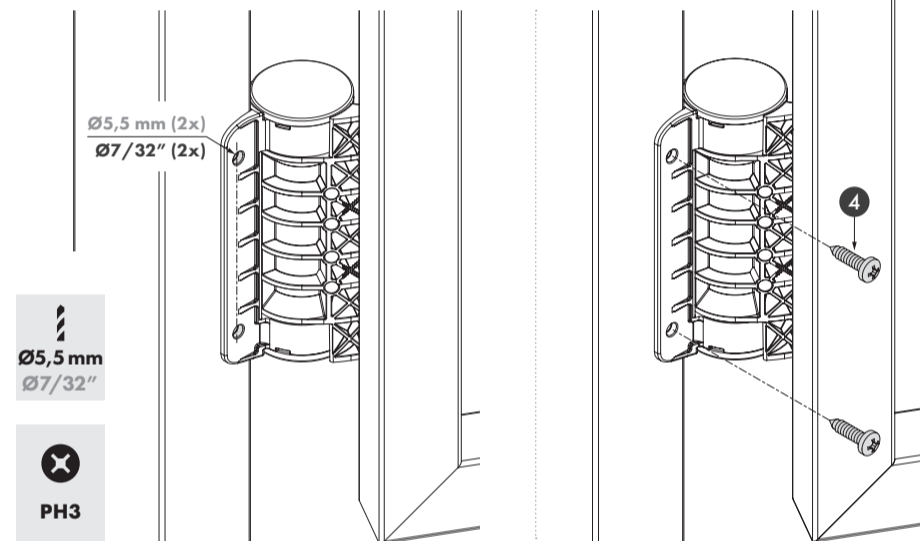
2 ADJUST POSITION OF THE GATE



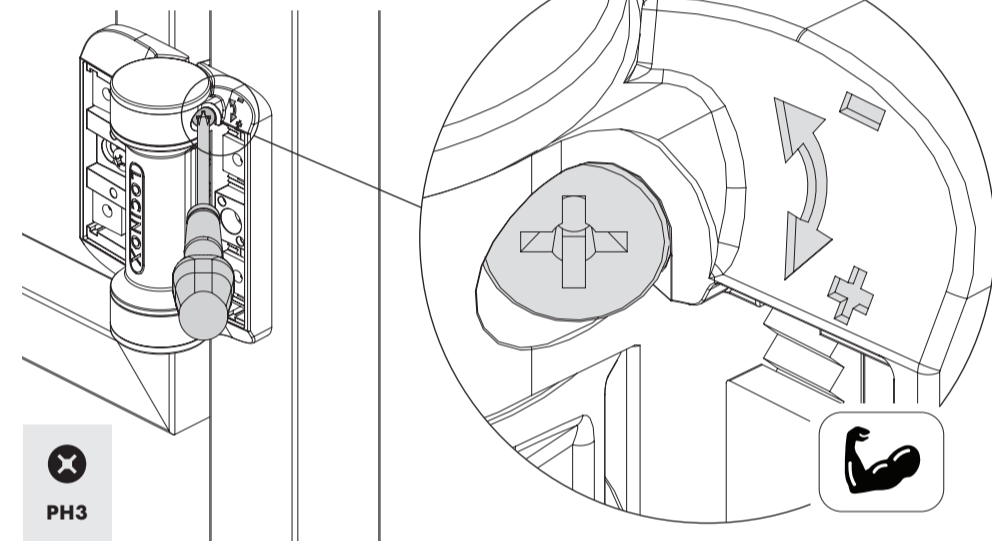
3 ADD 2 ADDITIONAL FIXATIONS IN THE FRONT



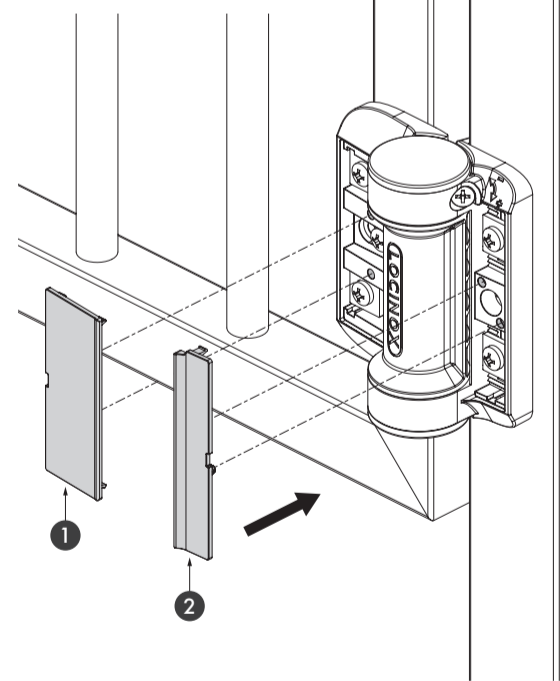
4 ADD 2 ADDITIONAL FIXATIONS ON THE SIDE OF THE FENCE POST



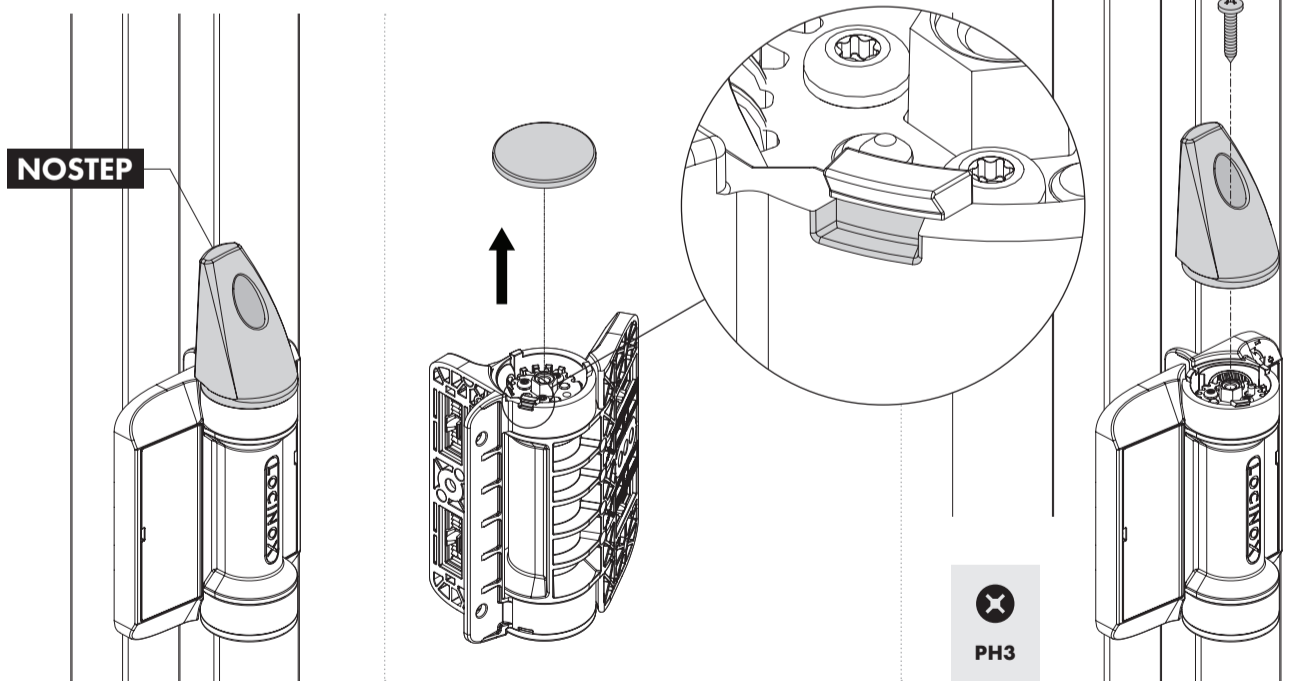
5 ADJUST TENSION FORCE



6 ADD SCREW COVERS



OPTIONAL INSTALLATION: NOSTEP PREVENTS HINGE BEING USED AS A FOOTHOLD




  
[pictures@locinox.com](mailto:pictures@locinox.com)

**SUCCESSFUL  
INSTALLATION?**  
 Please send us your  
 pictures & videos

**INSTALACION  
EXITOSA?**  
 Por favor envíenos  
 sus fotos y videos

**SUCCESSFUL  
INSTALLATION?**  
 Stuur gerust uw foto's  
 & video's door

**INSTALLATION  
RÉUSSIE?**  
 Veuillez nous envoyer  
 vos photos & vidéos

**ERFOLGREICHE  
INSTALLATION?**  
 Bitte senden Sie uns  
 Ihre Bilder & Videos

**UDANA  
INSTALACJA?**  
 Prześlij nam swoje  
 zdjęcia i filmy

**УСПЕШНАЯ  
УСТАНОВКА?**  
 Пожалуйста, отправьте нам  
 свой фотографии и видео

**LOCINOX**<sup>®</sup>  
 Let's make it better together

Doc. Nr.: MANU-000452

Locinox NV • Mannebeekstraat 21 • 8790 Waregem • Belgium  
 Locinox CEE • Irysowa 9 • 55-040 Bielany Wrocławskie • Poland  
 Locinox LLC • 460 Windy Point Drive • Glendale Heights - IL 60139 • USA



MANU-000452

# SERVAL-SD-R

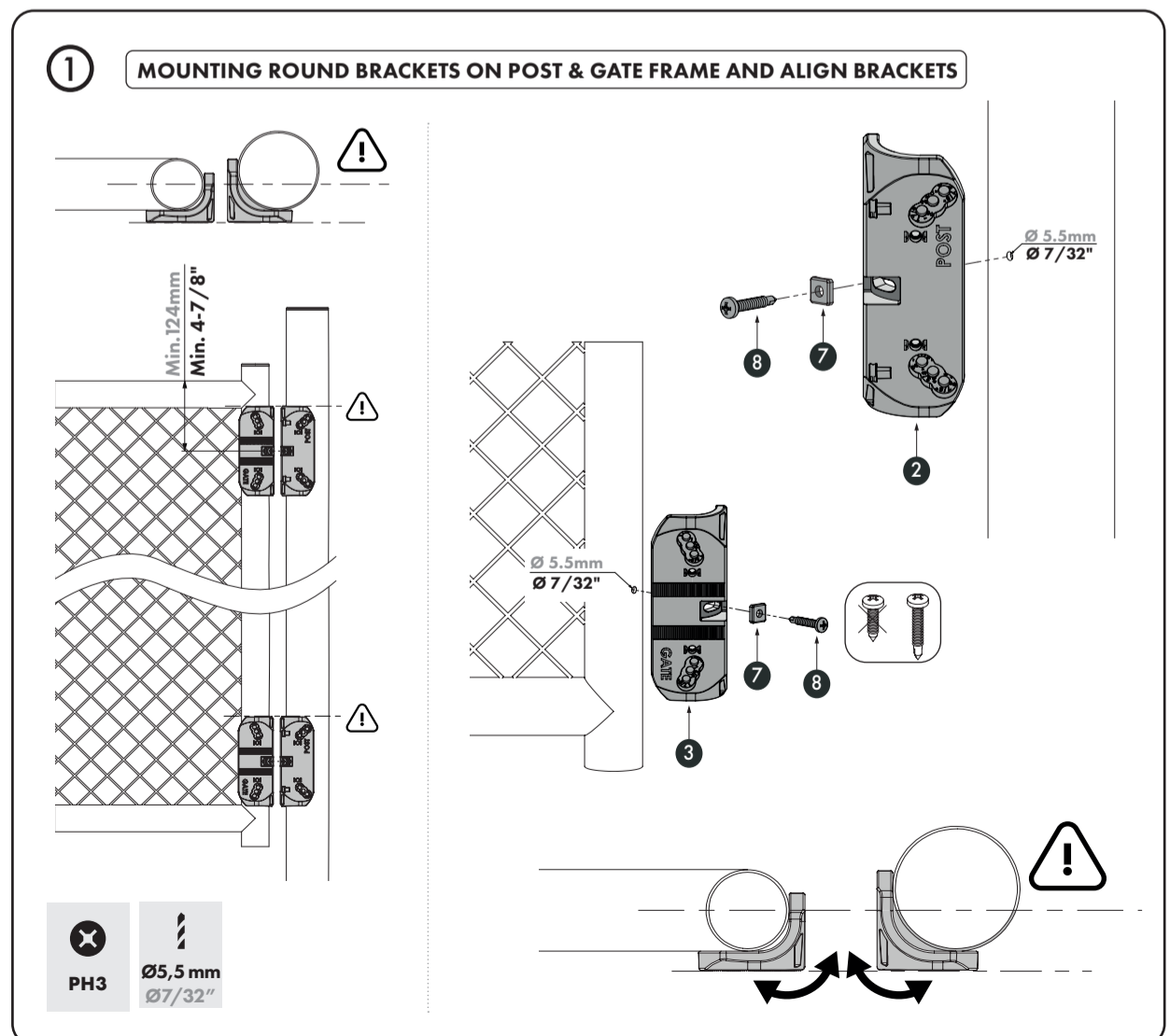
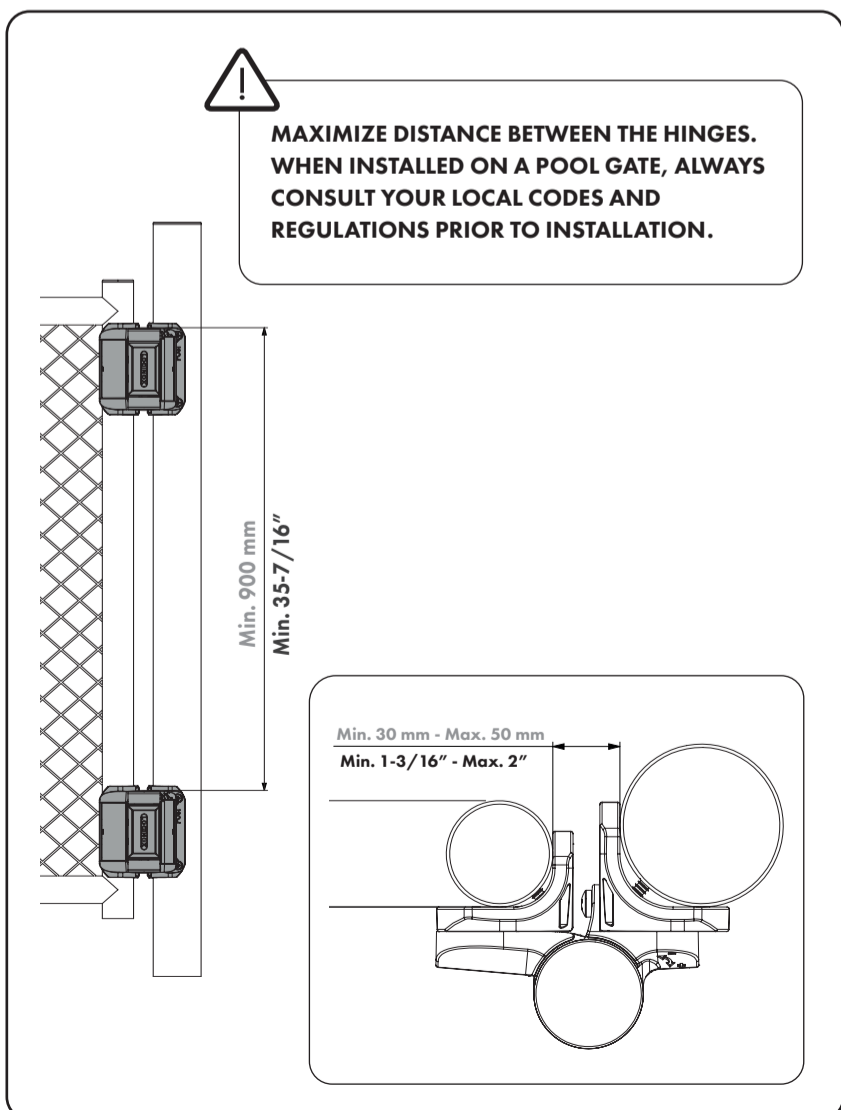
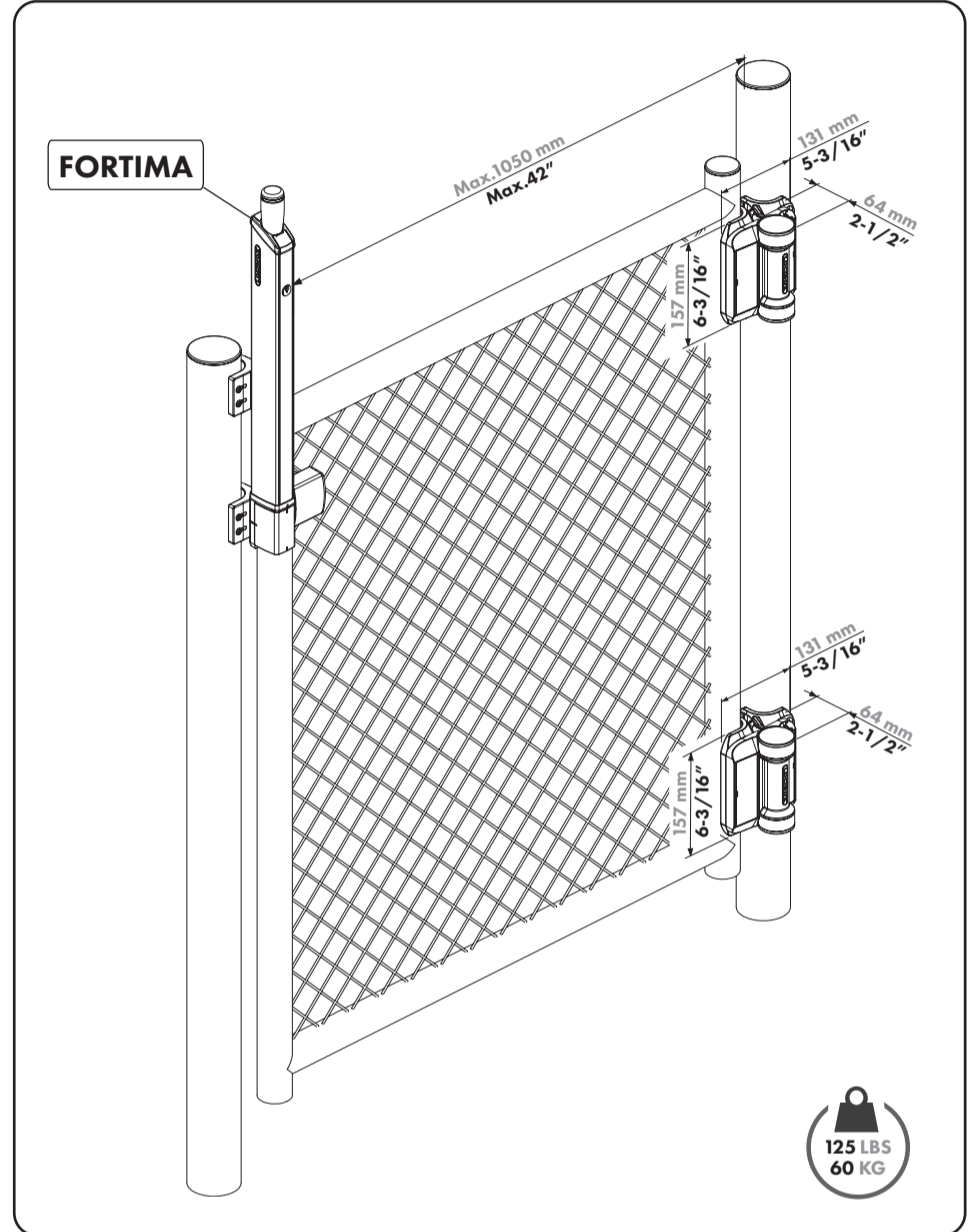
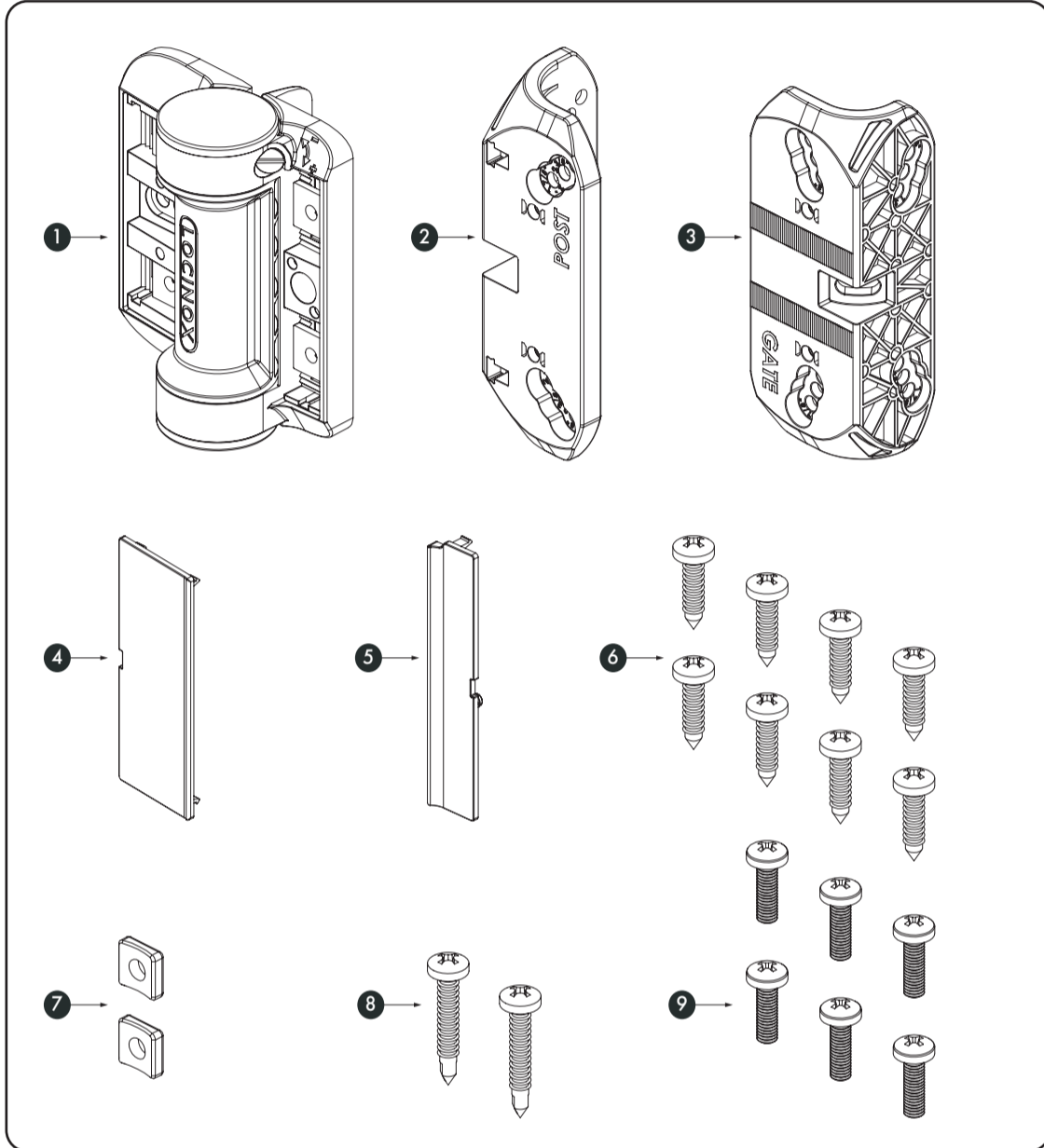
# LOCINOX

Let's make it better together

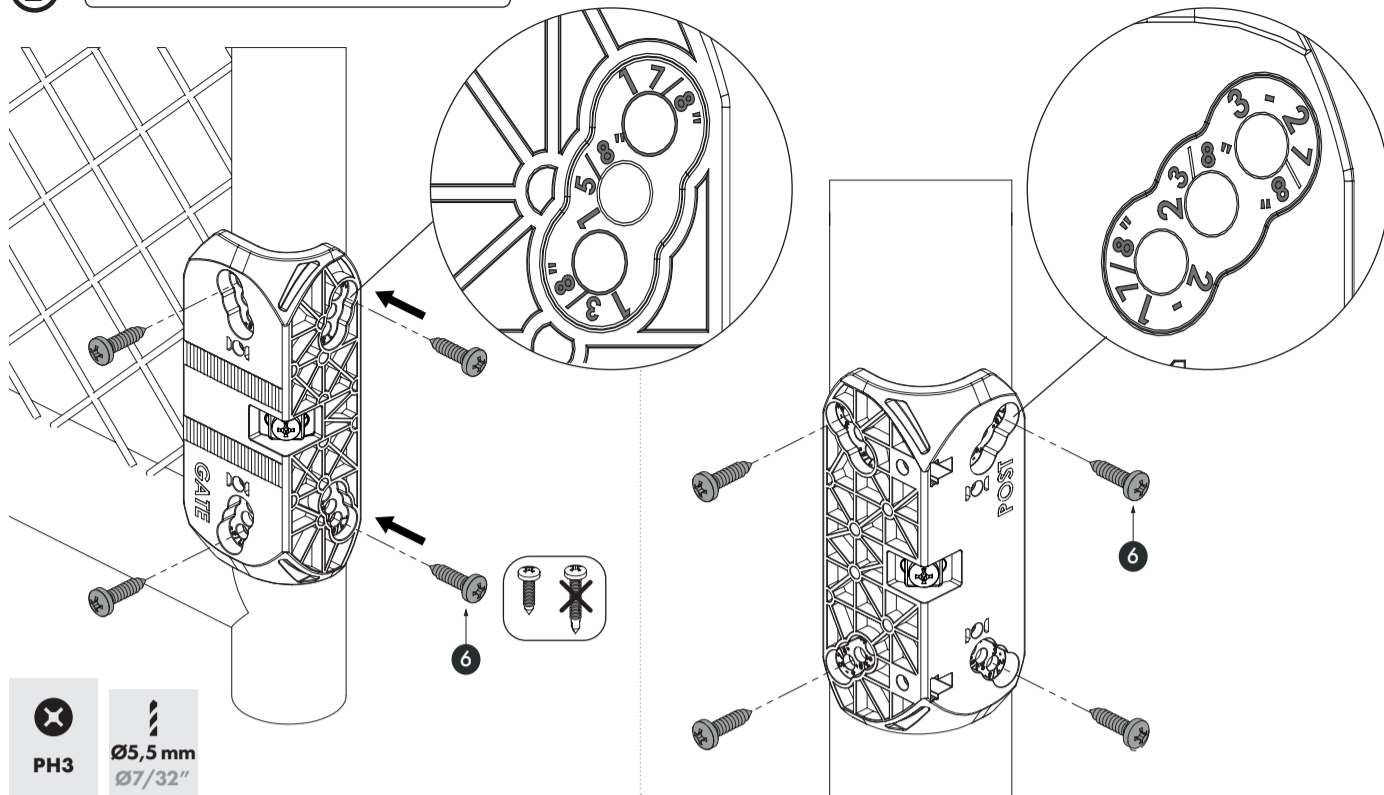


LOCINOX				LOCINOX USA			
www.locinox.com	help@locinox.com	BE-HQ: +32 56 77 27 66 PL-CEE: +48 717 58 21 09	www.locinox.com/serval	www.locinoxusa.com	helpusa@locinox.com	877-LOCINOX	www.locinoxusa.com/serval

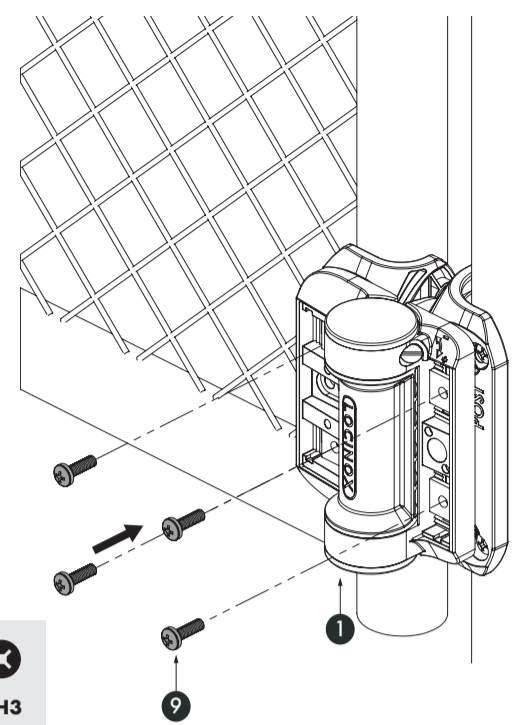
**READ THE LIABILITY NOTICE CAREFULLY**



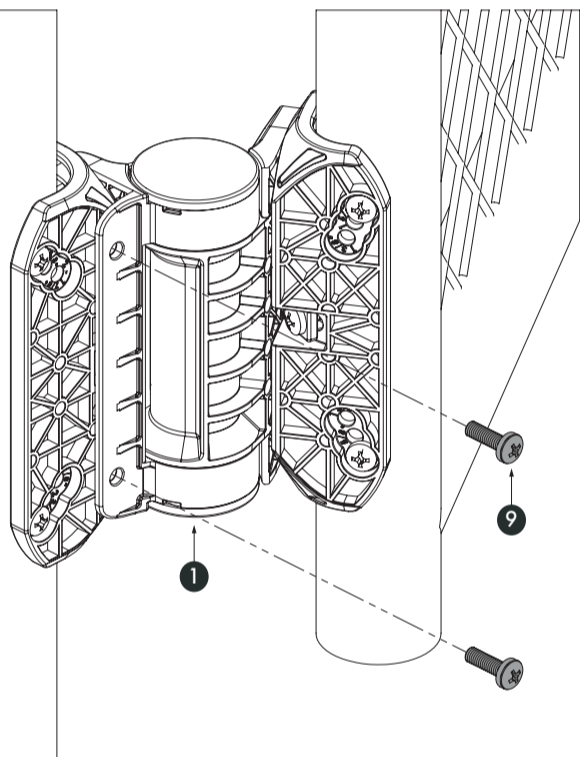
**2** FIX BRACKETS WITH OTHER SCREWS



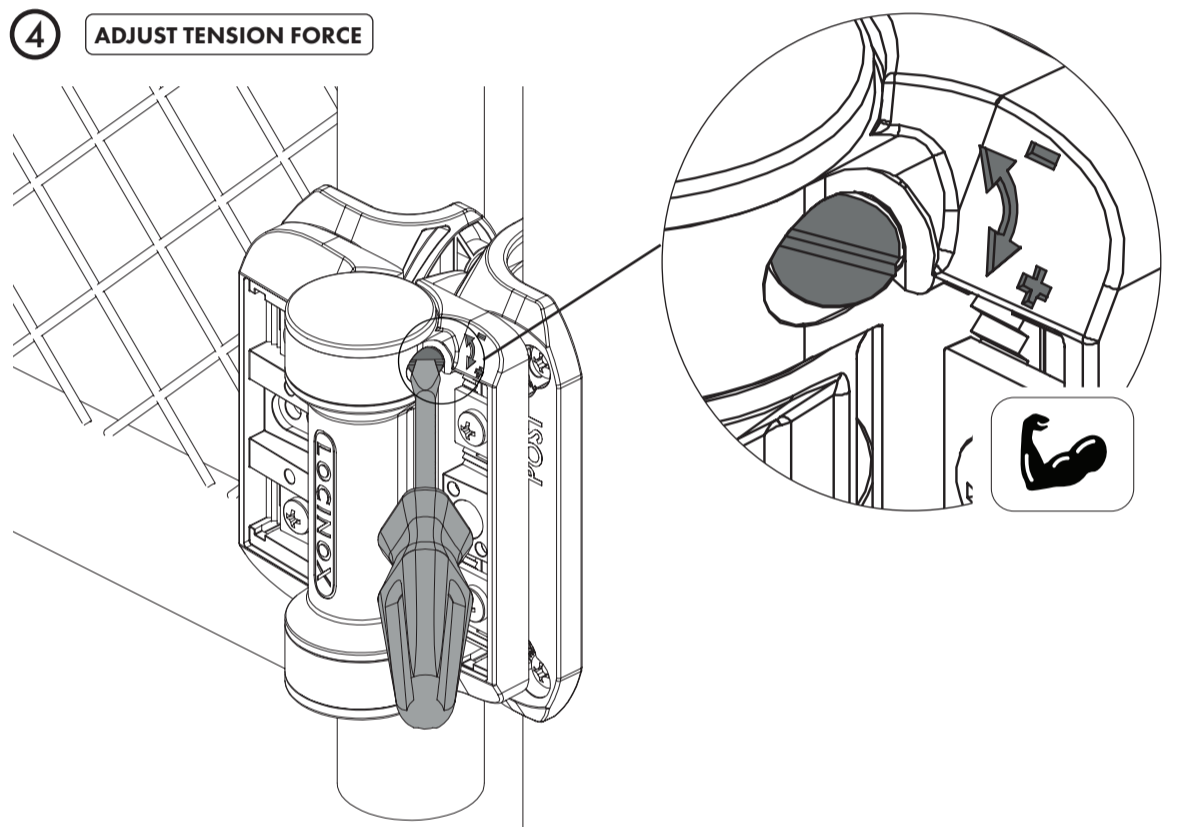
**3** **A** MOUNTING SERVALS



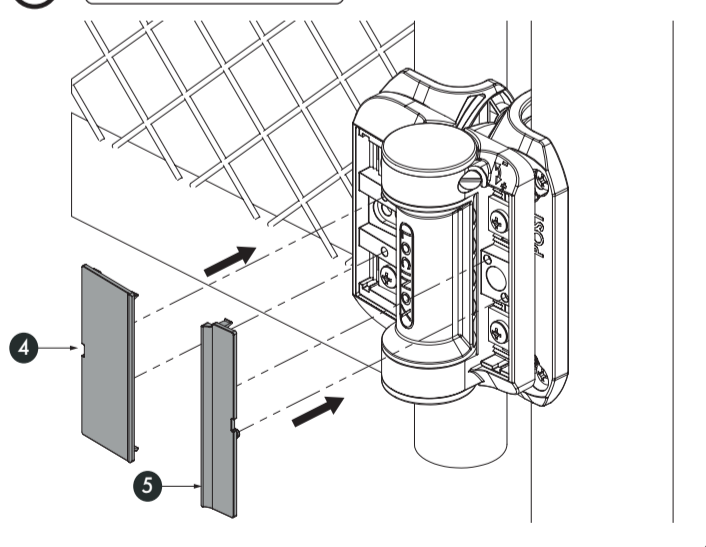
**3** **B**



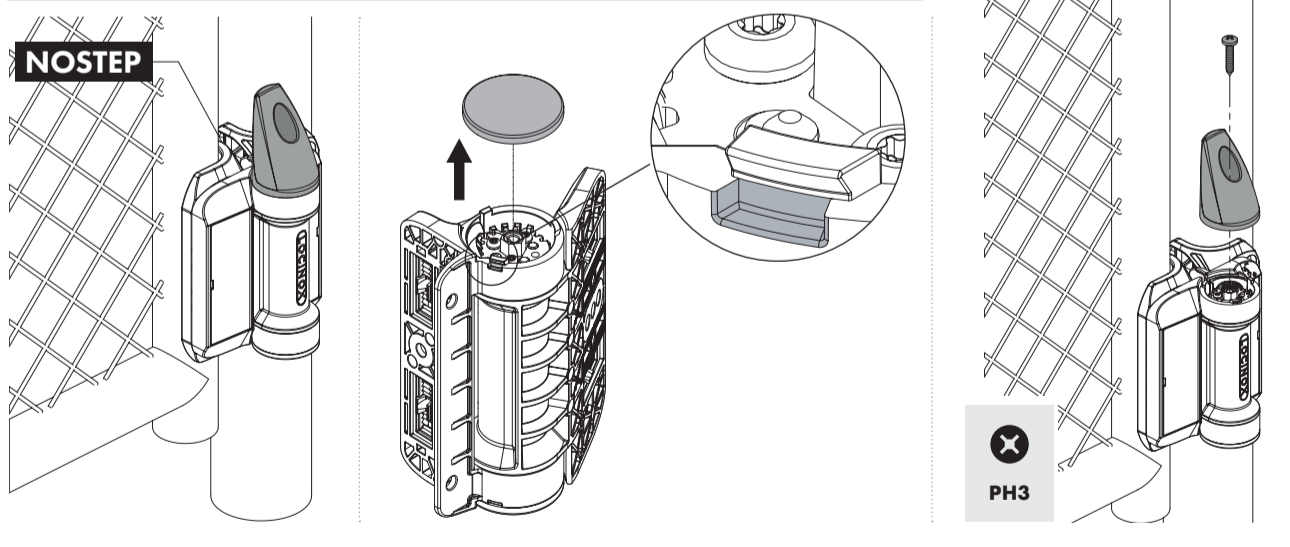
**4** ADJUST TENSION FORCE



**5** ADD SCREW COVERS



OPTIONAL INSTALLATION: NOSTEP PREVENTS HINGE BEING USED AS A FOOTHOLD



**SUCCESSFUL INSTALLATION?**  
Please send us your pictures & videos

**INSTALACION EXITOSA?**  
Por favor envíenos sus fotos y videos

**SUCCESSFUL INSTALLATION?**  
Stuur gerust uw foto's & video's door

**INSTALLATION RÉUSSIE?**  
Veuillez nous envoyer vos photos & vidéos

**ERFOLGREICHE INSTALLATION?**  
Bitte senden Sie uns Ihre Bilder & Videos

**UDANA INSTALACJA?**  
Prześlij nam swoje zdjęcia i filmy

**УСПЕШНАЯ УСТАНОВКА?**  
Пожалуйста, отправьте нам свой фотографии и видео



**Doc. Nr.: MANU-000460**

Locinox NV • Mannebeekstraat 21 • 8790 Waregem • Belgium  
Locinox CEE • Irysowa 9 • 55-040 Bielany Wrocławskie • Poland  
Locinox LLC • 460 Windy Point Drive • Glendale Heights - IL 60139 • USA



MANU-000460