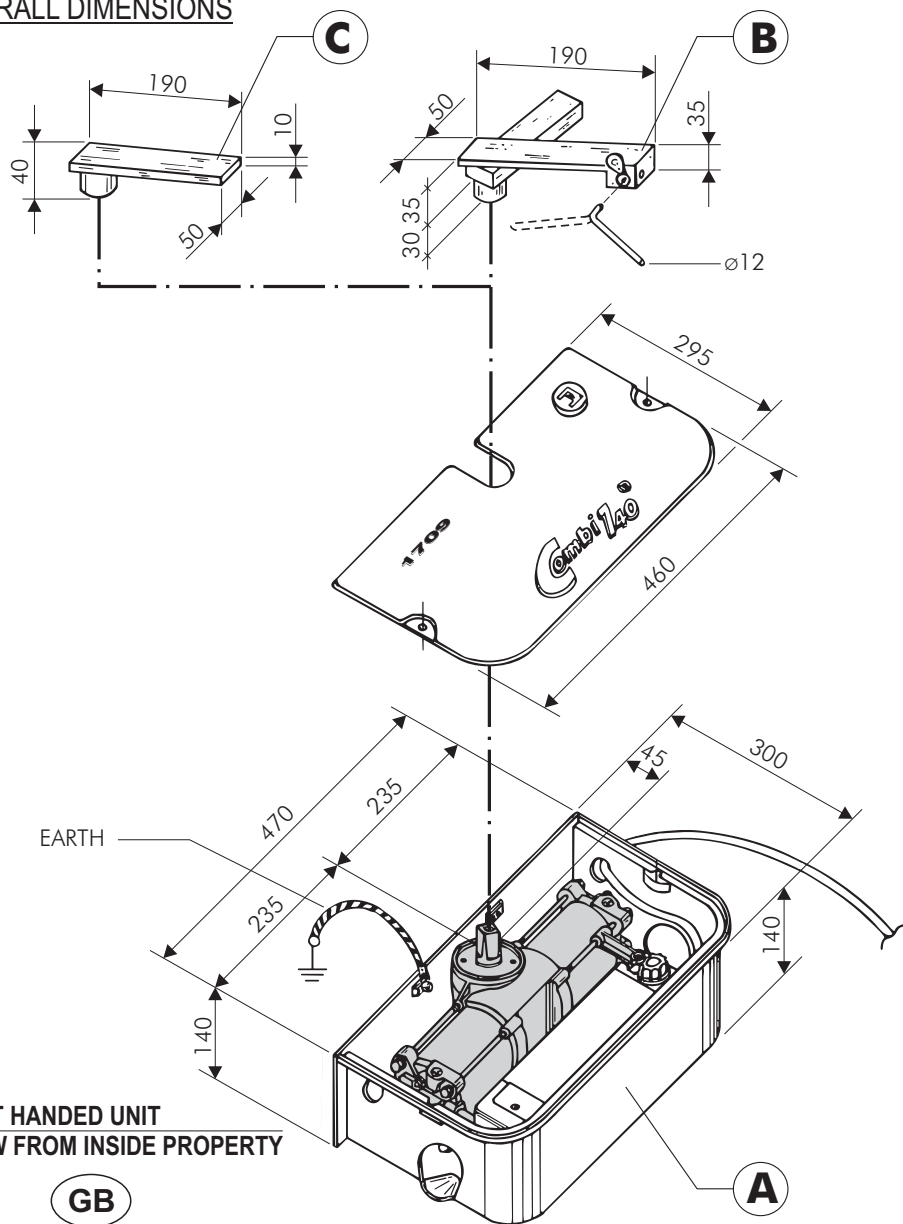


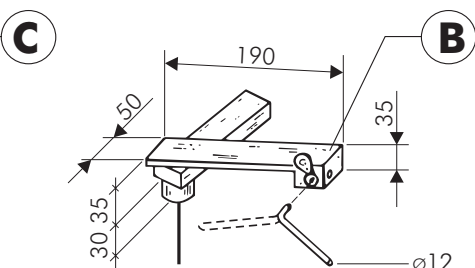
OVERALL DIMENSIONS



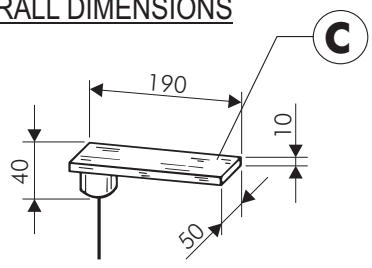
LEFT HANDED UNIT
VIEW FROM INSIDE PROPERTY

GB

A



B



C

A) "COMBI 740" is an electro-hydraulic operator consisting of a drive unit - motor/pump - and a hydraulic jack allowing the gate to rotate by 90° open and closed. For safety reasons, anti-crush, the unit motor-pump-jack is fitted with pressure valves incorporated in the hydraulic circuit and adequately protected to prevent misuse after the operator has been installed on the gate. Designed so that it is unaffected by rain, water, dust or any other atmospheric agent. "COMBI 740" is to be sunk into the ground at the foot of the gates on the right-hand and left-hand side (double swinging gates) to achieve synchronized operations. Different options are available, i.e. 110° or 175° rotation angle with no variation in size, with or without dampening device on both open and close cycles. **With or without two-way locking device.** A locking unit can be released for hand operations by means of the lever placed above the pressure valves. The units are supplied perfectly working and already filled with special oil. No pre-adjustment is needed, the operator is ready to work after completing the installation.

B) On the locking operator, the gate fixing device consists of two component parts, i.e. a simple plate with a ferrule having a square hole to fit the jack shaft and a second part to be firmly welded to the gate foot. This is a mechanical locking device having an eccentric cam which can be released by means of a special key. A right-handed operator is **by no means interchangeable** with a left-handed one and vice versa.

C) On the non locking operator, the gate fixing device consists only of the plate with the F ring. The distinction left-handed or right-handed strictly applies as well.

TECHNICAL SPECIFICATIONS

Double stroke jack and oil-hydraulic pump

Pump flow rate - P3	0.85 l/min.
Working pressure	1 MPa (10 bars)
Max. pressure	3 MPa (30 bars)
Working temperature	-20°C + 80°C
Rotation time (110°)	23 s
Type of oil	A 15 Fadini by AGIP
Shaft rotation angle	110°
Rated torque	235 Nm
Cylinder bore	75 mm
Stroke	52 mm
Weight of COMBI 740 with accessories	27 Kg
Static gate weight	700 Kg
Protection standards	IP 673
Overall dimensions	470x300x150 mm
Duty cycle	23 s Opening - 30 s Stop - 23 s Closing
Time of one complete cycle	76 s
No. of complete cycles Opening-Stop-Closing	47/h
	137'000 cycles a year, 8 hours' service a day

Dampening

Pump flow rate - P3	0.85 l/min.
Rotation time (175°)	28 s

Class H, two-phase, electric motor

Power output	0.18 KW (0.25 HP)
Supply voltage	230 W
Frequency	50 Hz
Absorbed current	1.2 A
Absorbed power	250 W
Capacitor	12.5 µF
Motor rotation speed	1'350 r.p.m.
Intermittent service	S 3

CE EUROPEAN MARK CERTIFYING CONFORMITY TO THE ESSENTIAL REQUIREMENTS OF THE STANDARDS 98/37/EC



Combi 740



Drwg. No. 1598

TECHNICAL SPECIFICATION TABLE

ELECTRO-HYDRAULIC OPERATOR